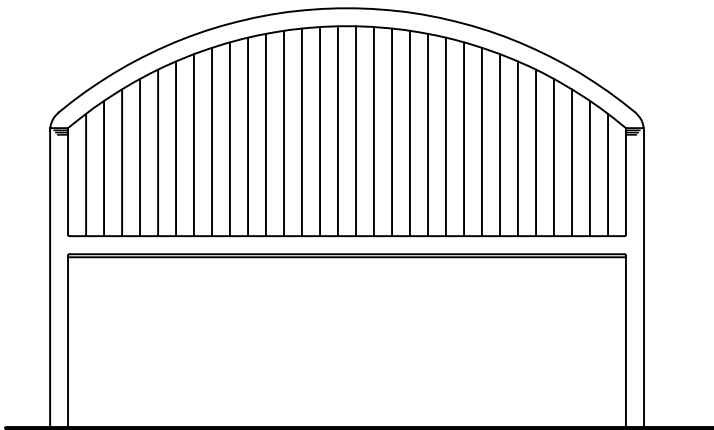
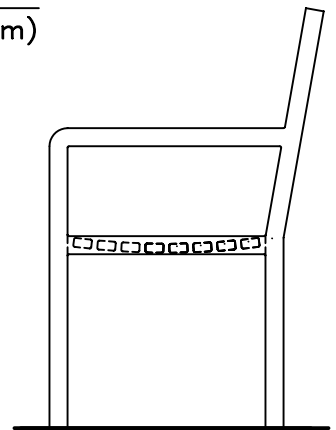


TOP VIEW



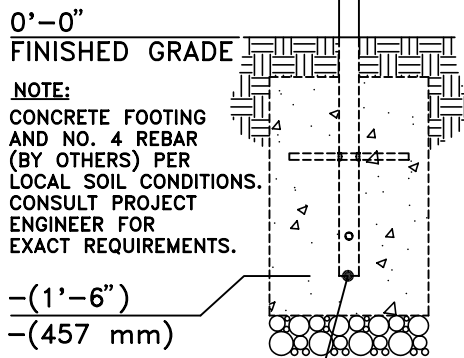
FRONT VIEW

2'-11"
(889 mm)

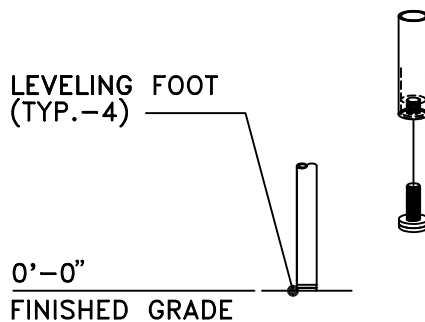


END VIEW

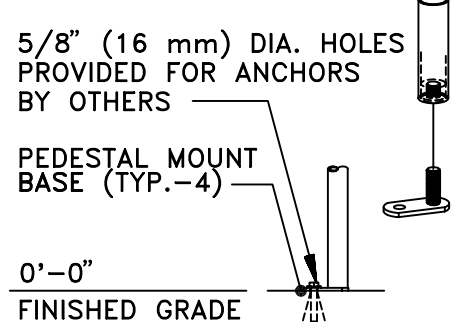
AVAILABLE IN 2', 4' (SHOWN), 6', 8' NOMINAL LENGTHS.
OTHER LENGTHS AVAILABLE UPON REQUEST.



2824-4-E (DIRECT EMBEDMENT)



2824-4-L (LEVELING MOUNT)



2824-4-P (PEDESTAL MOUNT)

This drawing reveals the copyrighted intellectual property
company. Not for use by others

Authorization for use is hereby granted to architects,
landscape architects and similar design professionals
solely for the purpose of specifying TimberForm products.



COLUMBIA CASCADE COMPANY

Makers of TimberForm®, PipeLine®,
RePlay®, TimberForm®-2, InterPlay®,
CycLoops® and CycLocker® Products.

1300 S.W. Sixth Avenue, Suite 310 Telephone 503/223-1157
Portland, Oregon 97201-3464 Facsimile 503/223-4530
U.S.A.

WWW.TIMBERFORM.COM

Title:
TIMBERFORM MANOR
MODEL NO. 2824-4
ARC



Scale _____
Drawn by: _____
Ck'd by: _____

Drawing No. _____

Sheet
of _____